

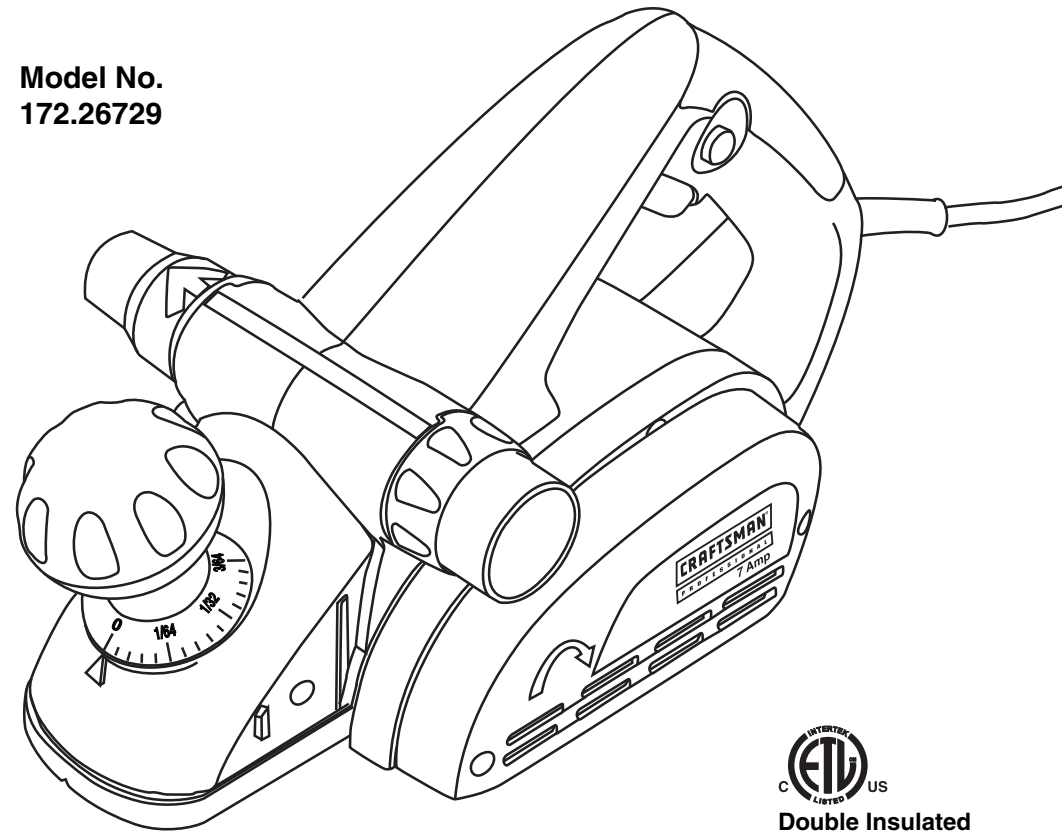
Operator's Manual

CRAFTSMAN

PROFESSIONAL

7 Amp
3 1/4-in. Planer

Model No.
172.26729



Double Insulated

CAUTION: Read, understand and follow all Safety Rules and Operating Instructions in this manual before using this product.

Sears, Roebuck and Co., Hoffman Estates, IL 60179 U.S.A.
Visit our Craftsman® website: www.sears.com/craftsman

- WARRANTY
- SAFETY
- UNPACKING
- DESCRIPTION
- OPERATION
- MAINTENANCE

TABLE OF CONTENTS

Warranty.....	Page	2
Safety Symbols.....	Page	3
Safety Instructions.....	Pages	4-9
Unpacking	Page	9
Description.....	Pages	10-11
Operation.....	Pages	12-17
Maintenance.....	Pages	18-19
Accessories.....	Page	19
Parts List.....	Pages	20-21
Sears Repair Parts Phone Numbers.....	Back Cover	

ONE YEAR FULL WARRANTY ON CRAFTSMAN PROFESSIONAL TOOL

If this Craftsman Professional Tool fails due to a defect in material or workmanship within one year from the date of purchase, **RETURN IT TO ANY SEARS STORE OR PARTS AND REPAIR CENTER OR OTHER CRAFTSMAN OUTLET IN THE UNITED STATES FOR FREE REPAIR (OR REPLACEMENT IF REPAIR PROVES IMPOSSIBLE).**

This warranty does not include expendable parts such as lamps, batteries, bits or blades.

This warranty gives you specific legal rights, and you may have other rights, which vary from state to state.

Sears, Roebuck and Co., Hoffman Estates, IL 60179

SAVE THESE INSTRUCTIONS! READ ALL INSTRUCTIONS!

⚠ WARNING: Some dust created by using power tools contains chemicals known to the State of California to cause cancer and birth defects or other reproductive harm.

SAFETY SYMBOLS

The purpose of safety symbols is to attract your attention to possible dangers. The safety symbols, and the explanations with them, deserve your **careful attention and understanding**. The symbol warnings **DO NOT** by themselves eliminate any danger. The instructions and warnings they give are no substitutes for proper accident prevention measures.

⚠ WARNING: BE SURE to read and understand all safety instructions in this manual, including all safety alert symbols such as "DANGER", "WARNING" and "CAUTION", BEFORE using this planer. Failure to follow all instructions listed below may result in electric shock, fire and/or serious personal injury.

SYMBOL MEANING

⚠ SAFETY ALERT SYMBOL: Indicates DANGER, WARNING, OR CAUTION. May be used in conjunction with other symbols or pictographs.

⚠ DANGER Failure to obey this safety warning **WILL** result in death or serious injury to yourself or to others. Always follow the safety precautions to reduce the risk of fire, electric shock and personal injury.

⚠ WARNING Failure to obey this safety warning **CAN** result in death or serious injury to yourself or to others. Always follow the safety precautions to reduce the risk of fire, electric shock and personal injury.

⚠ CAUTION Failure to obey this safety warning **MAY** result in personal injury to yourself or others or property damage. Always follow the safety precautions to reduce the risk of fire, electric shock and personal injury.

DAMAGE PREVENTION AND INFORMATION MESSAGES

These inform user of important information and/or instructions that could lead to equipment or other property damage if not followed. Each message is preceded by the word "NOTE:" as in the example below:

NOTE: Equipment and/or property damage may result if these instructions are not followed.



⚠ WARNING: The operation of any tool with a cutting blade can result in foreign objects being thrown into your eyes, which can result in severe eye damage. Before beginning power tool operation, **ALWAYS** wear safety goggles or safety glasses with side shield and a full-face shield when needed. We recommend a Wide Vision Safety Mask for use over eyeglasses or standard safety glasses with side shield, available at Sears Stores or other Craftsman Outlets.

SAFETY INSTRUCTIONS

⚠ WARNING: BE SURE to read and understand all instructions in this manual before using this planer. Failure to follow all instructions may result in electric shock, fire and / or serious personal injury.

WORK AREA SAFETY

1. **Keep your work area clean and well lit.** Cluttered workbenches and dark areas invite accidents.
2. **DO NOT operate power tools in explosive atmospheres, such as in the presence of flammable liquids, gases, or dust.** Power tools create sparks which may ignite the dust or fumes.
3. **Keep bystanders, children and visitors away while operating a power tool.** Distractions can cause you to lose control.
4. **Make your workshop childproof** with padlocks and master switches. Lock tools away when not in use.
5. **MAKE SURE the work area has ample lighting** so you can see the work and that there are no obstructions that will interfere with safe operation **BEFORE** using your planer.

PERSONAL SAFETY

1. **KNOW your power tool.** Read the operator's manual carefully. Learn the planer's applications and limitations, as well as the specific potential hazards related to this tool.
2. **STAY ALERT,** watch what you are doing and use common sense when operating a power tool.
3. **DO NOT** use tool while tired or under the influence of drugs, alcohol or medication. A moment of inattention while operating power tools may result in serious personal injury.
4. **DRESS properly. DO NOT** wear loose clothing or jewelry. Pull back long hair. Keep your hair, clothing, and gloves away from moving parts. Loose clothing, or long hair can be caught in moving parts. Air vents often cover moving parts and should also be avoided.
5. **AVOID** accidental starting. Be sure switch is in "OFF" position before plugging in. **DO NOT** carry tools with your finger on the switch. Carrying tools with your finger on the switch or plugging in tools that have the switch in the "ON" position invites accidents.
6. **REMOVE** adjusting keys or blade wrenches before turning the tool "ON". A wrench that is left attached to a rotating part of the tool may result in personal injury.
7. **Do not overreach. Keep proper footing and balance at all times.** Proper footing and balance enables better control of the tool in unexpected situations.
8. **ALWAYS SECURE YOUR WORK.** Use clamps or a vise to hold work when practical. It is safer than using your hand and frees both hands to operate tool.
9. **USE SAFETY EQUIPMENT.** Always wear eye protection. Dust mask, non-skid safety shoes, hard hat, or hearing protection must be used for appropriate conditions.

SAFETY INSTRUCTIONS cont.

TOOL USE AND CARE SAFETY

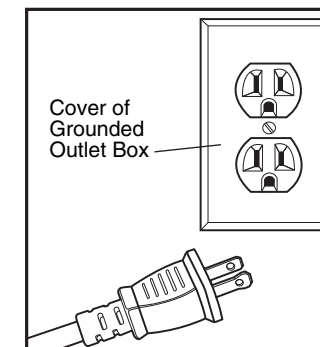
⚠ WARNING: BE SURE to read and understand all instructions before operating this planer. Failure to follow all instructions listed below may result in electric shock, fire and/or serious personal injury.

1. **ALWAYS use clamps or other practical ways to secure and support the workpiece to a stable platform.** Holding the work by hand or against your body is unstable and may lead to loss of control.
2. **DO NOT force the tool. Use the correct tool and blade for your application.** The correct tool and blade will do the job better and safer at the rate for which it is designed.
3. **DO NOT use the tool if switch does not turn it "On" or "Off".** Any tool that cannot be controlled with the switch is dangerous and must be repaired.
4. **DISCONNECT the plug from the power source before making any adjustments, changing accessories or storing the tool.** Such preventive safety measures reduce the risk of starting the tool accidentally.
5. **STORE idle tools out of the reach of children and other untrained persons.** Tools are dangerous in the hands of untrained users.
6. **MAINTAIN tools with care. Keep cutting tools sharp and clean.** Properly maintained tools with sharp cutting edges are less likely to bind and are easier to control.
7. **CHECK for misalignment or binding of moving parts, breakage of parts,** and any other condition that may affect the tool's operation. **If damaged,** have the tool serviced before using. Many accidents are caused by poorly maintained tools.
8. **USE ONLY accessories that are recommended for this tool.** Accessories that may be suitable for one tool may become hazardous when used on another tool.

ELECTRICAL SAFETY

⚠ WARNING: Do not permit fingers to touch the terminals of plug when installing or removing the plug from the outlet.

1. **Double insulated tools are equipped with a polarized plug (one blade is wider than the other). This plug will fit in a polarized outlet only one way.** If the plug does not fit fully in the outlet, reverse the plug. If it still does not fit, contact a **qualified electrician** to install a polarized outlet. Do not change the plug in any way.
2. Double insulation eliminates the need for the three-wire grounded power cord and grounded power supply system. Applicable only to Class II (double-insulated) tools. **This planer is a double insulated tool.**



⚠ WARNING: Double insulation DOES NOT take the place of normal safety precautions when operating this tool.

3. **BEFORE** plugging in the tool, **BE SURE** that the outlet voltage supplied is within the voltage marked on the tool's data plate. **DO NOT** use "AC only" rated tools with a DC power supply.

SAFETY INSTRUCTIONS cont.

ELECTRICAL SAFETY cont.

- 4. **AVOID body contact with grounded surfaces**, such as pipes, radiators, ranges and refrigerators. There is an increased risk of electric shock if your body is grounded.
- 5. **DO NOT expose power tools to rain or wet conditions or use power tools in wet or damp locations.** Water entering a power tool will increase the risk of electric shock.
- 6. **INSPECT tool cords for damage.** Have damaged tool cords repaired at a **Sears Service Center. BE SURE** to stay constantly aware of the cord location and keep it well away from the moving blade.
- 7. **DO NOT abuse the cord. NEVER use the cord to carry the tool by or to pull the plug from the outlet.** Keep cord away from heat, oil, sharp edges or moving parts. Replace damaged cords immediately. Damaged cords increase the risk of electric shock.

EXTENSION CORDS

Use a proper extension cord. ONLY use cords listed by Underwriters Laboratories (UL). Other extension cords can cause a drop in line voltage, resulting in a loss of power and overheating of tool. For this tool an AWG (American Wire Gauge) size of a least 14-gauge is recommended for an extension cord of 25-ft. or less in length. Use 12-gauge for an extension cord of 50-ft. **Extension cords 100-ft. or longer are not recommended.** Remember, **a smaller wire gauge size has greater capacity than a larger number** (14-gauge wire has more capacity than 16-gauge wire; 12-gauge wire has more capacity than 14-gauge). When in doubt use the smaller number. When operating a power tool outdoors, use an outdoor extension cord marked "W-A" or "W". These cords are rated for outdoor use and reduce the risk of electric shock.


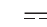


⚠ CAUTION: Keep the extension cord clear of the working area. Position the cord so that it will not get caught on lumber, tools or other obstructions while you are working with a power tool.

⚠ WARNING: Check extension cords before each use. If damaged replace immediately. Never use tool with a damaged cord since touching the damaged area could cause electrical shock, resulting in serious injury.

SAFETY INSTRUCTIONS cont.

SAFETY SYMBOLS FOR YOUR TOOL

The label on your tool may include the following symbols.

- V**.....Volts
- A**.....Amps
- Hz**.....Hertz
- W**.....Watts
- min**.....Minutes
- .....Alternating current
- .....Direct current
- no**.....No-load speed
- .....Class II construction, Double Insulated
- .../min**.....Revolutions or Strokes per minute
- .....Indicates danger, warning or caution.
It means attention! Your safety is involved.

SERVICE SAFETY

- 1. **If any part of this planer is missing or should break, bend, or fail in any way; or should any electrical component fail to perform properly: SHUT OFF** the power switch and remove the planer's plug from the power source and have the missing, damaged or failed parts replaced **BEFORE** resuming operation.
- 2. **Tool service must be performed only at a Sears Service Center.** Service or maintenance performed by unqualified personnel could result in a risk of injury.
- 3. **When servicing a tool, use only identical replacement parts. Follow instructions in the maintenance section of this manual.** Use of unauthorized parts or failure to follow maintenance instructions may create a risk of electric shock or injury.

SAFETY RULES FOR PLANERS

⚠ DANGER Keep hands away from cutting area and blade. Keep both hands on the planer (rear handle and front handle). If both hands are holding the planer, the blade cannot cut them.

- 1. **ALWAYS** use both hands when using the planer. Hold the front handle with your left hand and the rear handle with your right hand.
- 2. **Operate the planer with the chip chute exhaust turned so it points away from your face and eyes.**
- 3. **To insure control, ALWAYS support your workpiece so the cut will be on your right.**
- 4. **ALWAYS clamp the workpiece** securely so it will not move when making the cut.
- 5. **DO NOT use dull or damaged blades.** Bent blades can break easily, or cause kickback resulting in loss of control and serious injury.
- 6. **ALWAYS hold the planer so the blades DO NOT come in contact with the workpiece until you have squeezed the trigger switch and the planer has started.**

SAFETY INSTRUCTIONS cont.

⚠ WARNING: Some dust created by using power tools contains chemicals known to the State of California to cause cancer and birth defects or other reproductive harm. Some examples of these chemicals are:

- Lead from lead-based paints.
- Crystalline silica from bricks and cement and other masonry products.
- Arsenic and chromium, from chemically treated lumber.

Your risk from these exposures varies, depending upon how often you do this type of work. To reduce your exposure to these chemicals:

- Work in a well-ventilated area.
- Work with approved safety equipment, such as those dust masks that are specially designed to filter out microscopic particles.

Avoid prolonged contact with dust from power sanding, sawing, grinding, drilling and other construction activities. Wear protective clothing and wash exposed areas with soap and water. Allowing dust to get into your mouth, eyes, or lay on the skin may promote absorption of harmful chemicals.

⚠ WARNING: Use of this tool can generate and/or disburse dust, which may cause serious and permanent respiratory or other injury. Always use NIOSH/OSHA approved respiratory protection appropriate for the dust exposure. Direct particles away from face and body.

ADDITIONAL RULES FOR SAFE OPERATION

⚠ WARNING: BE SURE to read and understand all instructions. Failure to follow all instructions listed below may result in electric shock, fire and/or serious personal injury.

1. **Know your power tool. Read operator's manual carefully.** Learn the applications and limitations, as well as the specific potential hazards related to this tool. Following this rule will reduce the risk of electric shock, fire or serious injury.
2. **ALWAYS wear safety glasses or eye shields when using this planer.** Everyday eyeglasses have only impact-resistant lenses; they are NOT safety glasses.
3. **PROTECT your lungs.** Wear a face mask or dust mask if the operation is dusty.
4. **PROTECT your hearing.** Wear appropriate personal hearing protection during use. Under some conditions noise from this product may contribute to hearing loss.
5. **ALL VISTORS AND BYSTANDERS MUST** wear the same safety equipment that the operator of the planer wears.
6. **INSPECT the tool cords periodically and if damaged have them repaired at your nearest Sears Service Center. ALWAYS BE AWARE of the cord location when operating your planer.**
7. **ALWAYS check the tool for damaged parts.** Before further use of the tool, a guard or other part that is damaged should be carefully checked to determine if it will operate properly and perform its intended function. Check for misalignment or binding of moving parts, breakage of parts, and any other condition that may affect the tool's operation. A guard or other part that is damaged should be properly repaired or replaced at a Sears Service center.

SAFETY INSTRUCTIONS cont.

ADDITIONAL RULES FOR SAFE OPERATION cont.

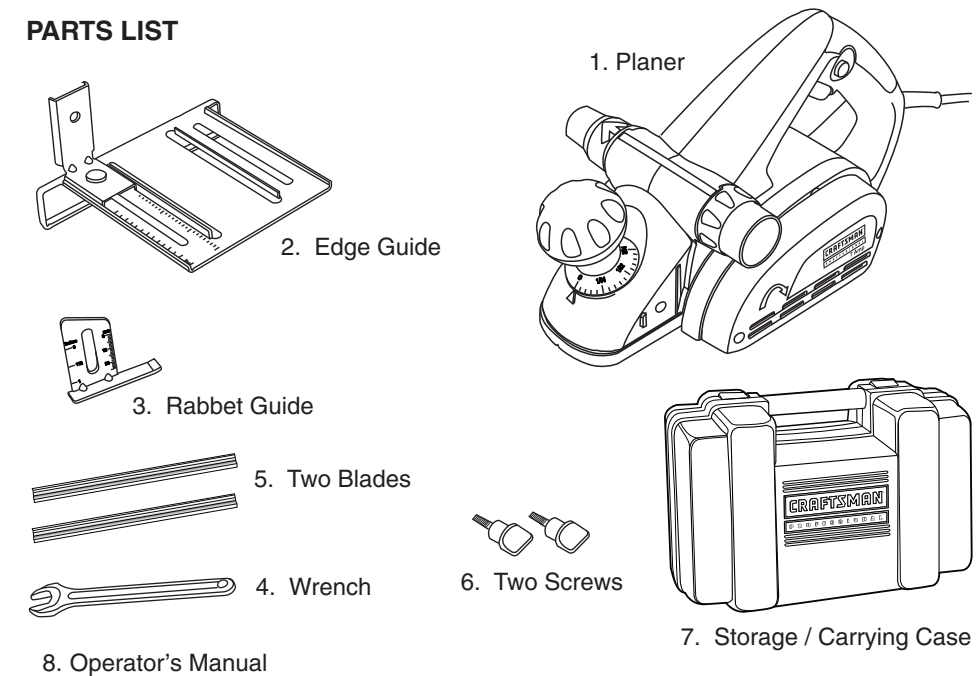
8. **SAVE THESE INSTRUCTIONS.** Refer to them frequently and use them to instruct others who may use this tool. If someone borrows this tool, make sure they have these instructions also.

UNPACKING

1. Remove the **Planer** from the **Storage / Carrying Case** and inspect it carefully to make sure that no breakage or damage has occurred during shipping.
2. Do not discard any of the packing materials until all parts are accounted for.
3. The planer has a **Crescent Wrench** force-fitted into the **Storage / Carrying Case**.
4. The **Edge Guide** is force-fitted into the top of the lid of the **Storage / Carrying Case**.
5. Also included with your planer and force fitted into the **Storage / Carrying Case** is a **Rabbit Guide**.
6. **Two blades** are included with your planer.
7. If any of the parts are damaged or missing (refer to **PARTS LIST** below), return the planer to your nearest Sears store or Craftsman outlet to have the planer replaced.

⚠ WARNING: If any parts are missing, DO NOT operate this planer until the missing parts are replaced. Failure to do so could result in possible serious personal injury.

PARTS LIST



DESCRIPTION

KNOW YOUR PLANER

NOTE: Before attempting to use your planer, familiarize yourself with all of the operating features and safety requirements.

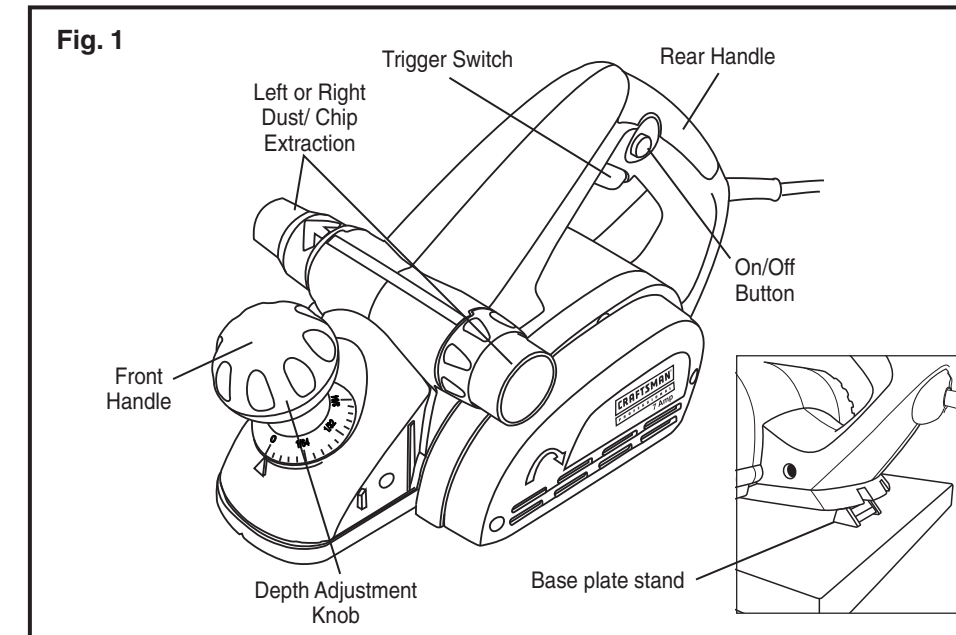
Your planer has a precision-built electric motor and it should be connected to a 120-volt, 60-Hz AC ONLY power supply (normal household current). **DO NOT** operate on direct current (DC). The large voltage drop will cause a loss of power and the motor will overheat. If the planer does not operate when plugged into correct 120-volt, 60-Hz AC ONLY outlet, check the power supply. This planer has a 10-ft., 2-wire power cord (no adapter needed).

This Professional Planer has the following features:

1. **Powerful, heavy-duty 7-Amp motor** provides high speed needed for fast, clean cuts in most any type of wood. Precision balanced for smooth, quiet operation.
2. **Low profile depth-of-cut control knob** allows easy depth-of-cut adjustments from 0 to 1/8-in.
3. **Grooved front shoe design** for 45° bevel or chamfer cuts.
4. **Ergonomically designed contoured top-mount handle and front assist handle** with soft grips for positive gripping, balance, control and comfort.
5. **Heavy-duty extended length trigger switch** conveniently located for comfort and control. Lock-off button helps prevent accidental starts.
6. **3 1/4-inch cutting width** for fast planing. Planes wide side of 2 X 4 board in one pass.
7. **Uses reversible, double-edged hardened steel carbide-tipped blades** that can be used on both sides for longer blade life.
8. **Includes edge guide** for accurate, precise cuts on long or uneven workpieces.
9. **Includes rabbet guide** for making 15/16-in. deep rabbet cuts.
10. **Chip chute** keeps work surface clean and directs wood chips away from operator.
11. **Permanently lubricated bearings** for smooth, efficient operation and long life.
12. **Cogged timing belt drive** provides positive, precise power transmission.
13. **High-impact plastic motor housing and handles** help protect tool from damage and reduce weight.
14. **Includes high-impact resistant storage / carrying case.**

DESCRIPTION cont.

This Professional Planer has the following features:



PRODUCT SPECIFICATIONS

Input	7 Amps
Cutting Width	3 1/4 in.
Cutting Depth	0 to 1/8-in.
Max. Rabbet Cut	15/16-in.
Rating	120 volts, 60 Hz AC
No-Load Speed	12,000 RPM

OPERATION

⚠ WARNING: Your planer should **NEVER** be connected to power supply when you are assembling parts, making adjustments, changing belts or blades, cleaning planer, or when not in use. Disconnecting planer will prevent accidental starting that could cause serious injury.

PREPARING FOR OPERATION

Your planer has a rear handle and front assist handle for ease of operation. They provide the two-hand operation which is necessary to maintain proper control of the planer. **ALWAYS** keep both hands clear of the blades and the cutting area.

ALWAYS use both hands when using the planer. Hold the front handle with your left hand and the rear handle with your right hand (as shown in Fig. 2). This position makes your planer easier to handle and keeps you clear of the chip exhaust.

⚠ CAUTION: **DO NOT** plane too fast because this causes build up in the chip exhaust. Chip build-up restricts air flow and can cause the motor to over heat.

Keep the cord away from the cutting area. **ALWAYS** place the cord so it does not hang up on the work when you are making a cut.

⚠ DANGER: If the cord hangs up on the work during the cut, release the trigger switch immediately. Unplug the planer and check the cord for damage. If there is no damage, reposition the cord to prevent it from hanging up again. If the cord has been damaged, have it replaced before using your planer.

⚠ WARNING: Using your planer with a damaged cord could cause electrical shock resulting in serious injury.

THE CORRECT WAY TO USE YOUR PLANER (See Fig. 2)

ALWAYS hold your planer as shown in Figure 2.

1. **ALWAYS** keep control of your planer. It makes cutting easier and safer, as shown in Figure 2.

2. To help keep control, **ALWAYS** support your work so the cut will be on your right.

3. **ALWAYS** clamp your work so it does not move during the cut (see Figure 2).

The workpiece moving during a cut could result in the loss of control of the planer, possibly causing serious injury.

The work moving during a cut could result in the loss of control of the planer, possibly causing serious injury.

OPERATION cont.

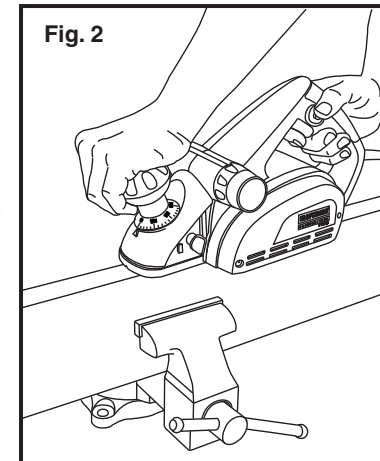
THE CORRECT WAY TO USE YOUR PLANER (See Fig. 2) cont.

4. **ALWAYS** operate the planer with the chip chute exhaust turned so it points away from your face and eyes.

All visitors should wear safety glasses and be kept a safe distance from the work area.

5. **ALWAYS** hold your planer so the blades **DO NOT** come in contact with the work piece **BEFORE** you squeeze the trigger switch and start the planer.

⚠ WARNING: Keep a firm grip on the tool with both hands at all times. Failure to do so could result in loss of control leading to possible serious injury.



TO ADJUST PLANING DEPTH (See Fig. 3)

The planing depth on your planer can be adjusted from 0 to 1/8 inch by rotating the depth adjustment knob located on the front of your planer.

1. Unplug your planer.

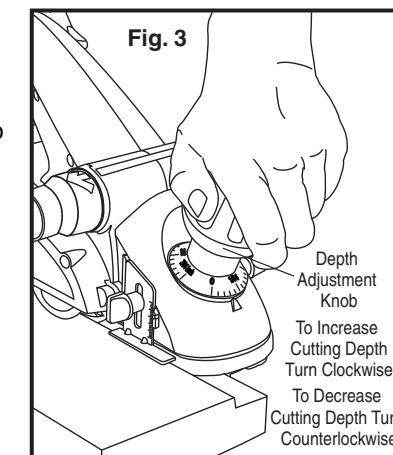
⚠ WARNING: Failure to unplug your planer could result in accidental starting, causing serious injury.

2. **To increase cutting depth**, rotate knob in a clockwise direction.

3. **To decrease cutting depth**, rotate knob in a counterclockwise direction.

4. We recommend that you make test cuts in scrap wood after each adjustment to make sure the planer is removing the desired amount of wood.

NOTE: To protect the blades during storage, transporting and when not in use, **ALWAYS** set the blade depth adjustment to 0.



OPERATION cont.

GENERAL CUTTING

1. Adjust planer to desired depth.
2. **ALWAYS** grip the planer with your left-hand holding the front handle and your right hand holding the rear handle.
3. Place front shoe flat on the work piece. **ALWAYS** make sure that the blades are not touching the work piece.
4. Apply pressure to the front handle until the front shoe is flat on the work piece.
5. Push the On/Off button and Squeeze the trigger switch to start the planer and allow the motor to reach maximum speed.
6. Hold the planer firmly and push it steadily in a forward direction onto the work piece.

NOTE: If you desire a smooth cut, push the planer slowly in a forward direction.

7. As you reach the end of your desired cut, **ALWAYS** apply downward pressure toward the rear handle. This will help keep the rear section of the base in contact with the work piece and help prevent the front of the planer from dipping and gouging your cut.
8. **ALWAYS** be careful to avoid hitting nails during the planing operation because this could nick, crack or otherwise damage the blades.

NOTE: The blades in your planer are reversible, so they can be rotated until both sides are dull.

NOTE: We suggest that you keep an extra set of blades on hand, so you can replace the blades in your planer when they show signs of becoming dull. Always reverse or replace blades in pairs.

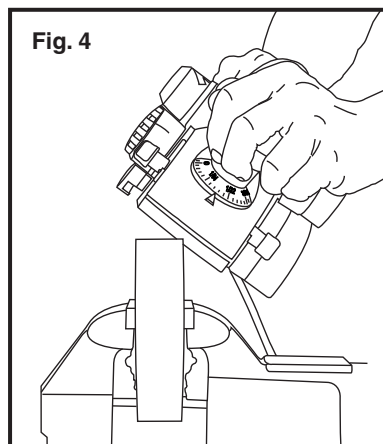
EDGE PLANING / CHAMFERING (See Figure 4)

Your planer is designed with a groove in the front shoe. This groove is for chamfering the edges of boards (see Fig. 4).

NOTE: **ALWAYS** make a practice cut on scrap wood to determine how much wood needs to be removed from the board **BEFORE** making your actual cut.

1. Firmly hold the rear handle of the planer with your right hand and the front handle with your left hand.
2. Place the groove of the planer on to the surface to be cut.
3. Turn on planer and let it reach full speed.
4. Slowly move planer onto work.
5. **ALWAYS** maintain downward pressure on the planer to keep it flat at the beginning and the end of the work piece.

NOTE: Making several passes of more shallow cuts will provide a smoother cut and makes it easier to control planer.



OPERATION cont.

ACCESSORIES INCLUDED WITH YOUR PLANER

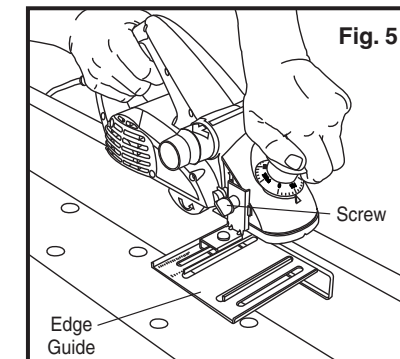
To make your planer even more versatile we have included 2 special accessories. They are an Edge Guide and a Rabbeting Plate.

ATTACHING THE EDGE GUIDE (See Figure 5)

1. Unplug your planer.

WARNING: Failure to unplug your planer could result in accidental starting, causing serious injury.

2. Insert the screw provided through the hole in the edge guide.
3. Tighten screw securely into screw hole on either side of the main shoe (see Fig. 5).



USING THE EDGE GUIDE

The Edge Guide easily attaches to either side of the planer. It is ideal for planing long and uneven boards.

1. When making cuts with the Edge Guide **ALWAYS** hold it firmly against the edge of the board you are planing.

ATTACHING THE RABBET GUIDE (See Fig. 6)

1. Unplug your planer.

WARNING: Failure to unplug your planer could result in accidental starting, causing serious injury.

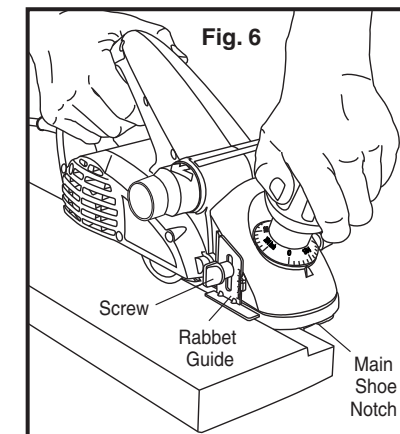
2. Insert the screw provided through the flat washer, then through the slot in the rabbeting plate.
3. Insert screw into screw hole on the right side of the main shoe and tighten securely (see Fig. 6).

USING THE RABBET GUIDE

The Rabbet Guide attaches to the right side of the planer. It is ideal for making rabbeting cuts up to 15/16 inches thick.

The maximum width of cut is 15/16-inch per cut.

1. When making a rabbet cut, **ALWAYS** place the notch on the inside of the main shoe firmly against the side of the board (see Fig. 6).
2. **ALWAYS** press the Rabbet Guide firmly against the top surface of the board.



OPERATION cont.

TO ADJUST THE DEPTH OF RABBET CUT

1. Unplug your planer.

⚠ WARNING: Failure to unplug your planer could result in accidental starting, causing serious injury.

2. Place planer on a flat board or work piece.
3. Loosen the screw and position the bottom surface of the Rabbet Guide above the board the same distance as the desired depth of cut.
4. Tighten screw securely.

REPLACING THE BLADES (See Figures 7 to 9)

The blades in this planer are reversible, so when the blades become dull, they can be reversed.

ALWAYS REPLACE OR REVERSE THE BLADES IN PAIRS.

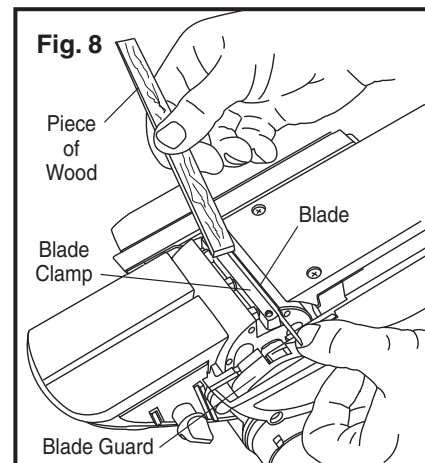
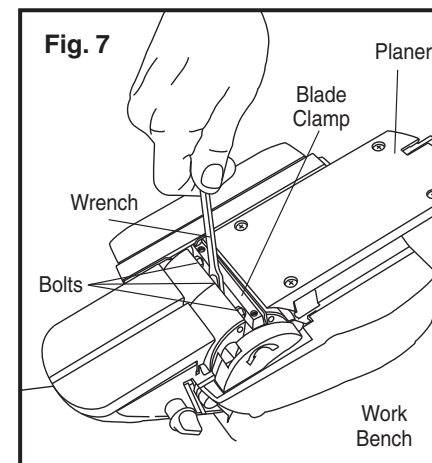
DO NOT ATTEMPT TO SHARPEN THE BLADES.

NEVER OPERATE YOUR PLANER WITH ONLY ONE BLADE INSTALLED.

1. Unplug your planer.

⚠ WARNING: Failure to unplug your planer could result in accidental starting, causing serious injury.

2. Place the planer upside down on the work bench. (See Fig. 7).
3. Use the wrench (included) to loosen the 3 bolts that hold the blade to the blade clamp. To loosen bolts, turn them approximately 1/2 turn in a clockwise direction. (See Fig. 7).
4. Hold the blade clamp in position and use a piece of wood to slide the blade out of blade clamp. (See Fig. 8).
5. Push down on blade guard when removing the blade from the blade clamp. (See Fig. 8).



OPERATION cont.

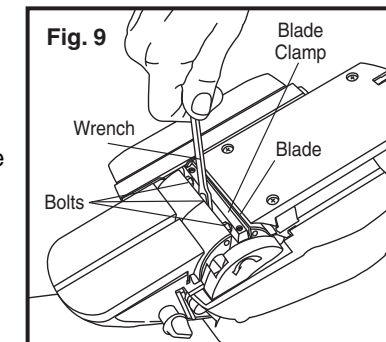
REPLACING THE BLADES (See Figures 7 to 9) cont.

⚠ CAUTION: Blades are very sharp. **ALWAYS** handle blades very carefully. Failure to do so could result in possible serious injury.

NOTE: DO NOT remove the blade clamp. This could alter the factory setting for cutting height and blade height.

NOTE: DO NOT adjust the height adjusting screws.

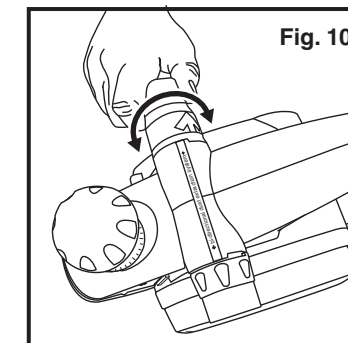
6. Place new blade or reverse existing blade into blade clamp. (See Fig. 9).
7. Check to be sure blade is properly positioned in blade clamp and the blade edge is level with the base. (See Fig. 9).
8. Securely re-tighten the 3 bolts.
9. Repeat the steps 3 through 8 above to change or reverse the other blade.
10. Remove piece of wood from planer.



⚠ Warning: ALWAYS remove the piece of wood before starting your planer. Failure to do so could result in the piece of wood being thrown from your planer, causing possible serious injury.

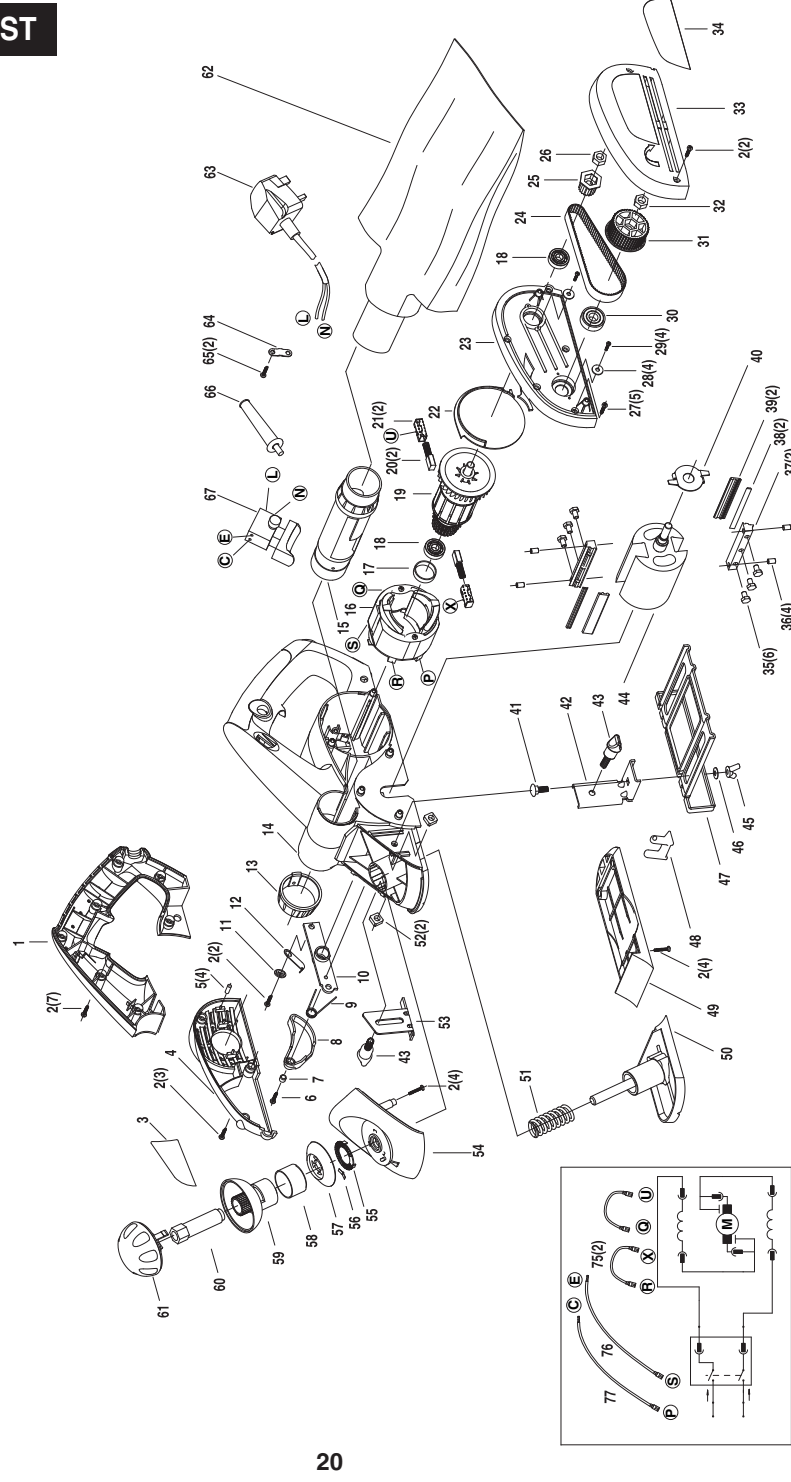
USING THE LEFT OR RIGHT DUST / CHIP EXTRACTION (See Figure 10)

The dust / chip chute can be adjusted for left or right extraction. Turn chute clockwise for extraction on the left side, or turn it counterclockwise for extraction on the right side. The arrow on the top of the chute indicates the direction the chips will be extracted.



POWER PLANER – MODEL NUMBER 172.26729

PARTS LIST



PARTS LIST cont.

POWER PLANER – MODEL NUMBER 172.26729

The Model Number will be found on the Nameplate. Always mention the Model Number in all correspondence regarding your tool.

No.	Part No.	Description	Quantity
1	SB19.0.02-00	Handle	1
2	SW55.58.0-00	Self-tapping screw	22
3	SB19.0.15-00	Rated label	1
4	SB19.0.05-00	Right cover	1
5	ST05.07.21-00	Rubber ring	4
6	SW56.12.0-00	Screw	1
7	SB19.0.21-00	Ring	1
8	SB19.0.07-00	Safety cover	1
9	SB19.0.22-00	Spring	1
10	SB19.2.01-00	Bearing holder	1
11	SB19.0.30-00	Ring	1
12	SB19.0.29-00	Protection plate	1
13	SB19.0.13-00	Fixing ring	1
14	SB19.0.01-00	Housing	1
15	SB19.0.12-00	Chip ejector	1
16	STB50.15.00-00	Stator	1
17	ST01.02.04-00	Ring	1
18	SW50.11.3-00	Bearing	2
19	STB51.15.00-00	Rotor	1
20	ST03.17.00-00	Carbon brush	2
21	ST02.18.10-00	Brush holder	2
22	SB19.0.06-00	Wind shield	1
23	SB19.3.01-00	Middle cover	1
24	SB19.0.26-00	Belt	1
25	SB19.0.19-00	Belt wheel	1
26	SW59.44.0-00	Nut	1
27	SW55.57.0-00	Self-tapping screw	5
28	SW60.75.0-00	Washer	4
29	SW55.11.0-00	Self-tapping screw	4
30	SW50.12.0-00	Bearing	1
31	SB19.0.20-00	Belt wheel	1
32	SW59.47.0-00	Nut	1
33	SB19.0.04-00	Left cover	1
34	SB19.0.16-00	Brand	1
35	SB19.1.06-00	Screw	6

No.	Part No.	Description	Quantity
36	SW57.24.0-00	Screw	4
37	SB19.1.04-00	Upper blade nip	2
38	SB19.1.08-00	Blade	2
39	SB19.1.05-00	Lower blade nip	2
40	SB19.1.03-00	Washer	1
41	SW58.15.0-00	Bolt	1
42	SB19.F.02-00	Plate	1
43	SB19.F.04-00	Knob screw	2
44	SB19.1.01-00	Blade drive shaft	1
45	SW59.07.0-00	Nut	1
46	SW60.82.0-00	Washer	1
47	SB19.F.01-00	Parallel guide	1
48	SB19.0.14-00	Stand	1
49	SB19.0.18-00	Back base	1
50	SB19.0.17-00	Front base	1
51	SB19.0.25-00	Spring	1
52	SW59.61.0-00	Nut	2
53	SB19.F.03-00	Depth gauge	1
54	SB19.0.03-00	Front cover	1
55	SB19.0.23-00	Calibration divider	1
56	SB19.0.24-00	Spring	1
57	SB19.0.11-00	Calibration plate	1
58	SB19.0.28-00	Rubber ring	1
59	SB19.0.09-00	Knob stand	1
60	SB19.0.08-00	Nut	1
61	SB19.0.10-00	Knob	1
62	SB19.4.00-00	Dust collector	1
63	SW21.32.21-00	Cable and plug	1
64	ST08.01.03-00	Cable clamp	1
65	SW55.56.0-00	Self-tapping screw	2
66	ST05.01.01-00	Cable protector	1
67	SW02.32.03-00	Switch	1
75	ST25.33.02.2-00	Inter wire	2
76	ST25.23.02.0-00	Inter wire	1
77	ST25.23.02.2-00	Inter wire	1

SEE BACK PAGE FOR PARTS ORDERING INSTRUCTIONS

Get it fixed, at your home or ours!

Your Home

For expert troubleshooting and home solutions advice:

manage my home

www.managemyhome.com

For repair – **in your home** – of **all** major brand appliances, lawn and garden equipment, or heating and cooling systems, **no matter who made it, no matter who sold it!**

For the replacement parts, accessories and owner's manuals that you need to do-it-yourself.

For Sears professional installation of home appliances and items like garage door openers and water heaters.

1-800-4-MY-HOME® (1-800-469-4663)

Call anytime, day or night (U.S.A. and Canada)

www.sears.com www.sears.ca

Our Home

For repair of carry-in items like vacuums, lawn equipment, and electronics, call anytime for the location of your nearest

Sears Parts & Repair Service Center

1-800-488-1222 (U.S.A.) **1-800-469-4663** (Canada)

www.sears.com www.sears.ca

To purchase a protection agreement on a product serviced by Sears:

1-800-827-6655 (U.S.A.) **1-800-361-6665** (Canada)

Para pedir servicio de reparación a domicilio, y para ordenar piezas:

1-888-SU-HOGAR®
(1-888-784-6427)

Au Canada pour service en français:

1-800-LE-FOYER^{MC}
(1-800-533-6937)
www.sears.ca

Sears

© Registered Trademark / TM Trademark / SM Service Mark of Sears Brands, LLC
© Marca Registrada / TM Marca de Fábrica / SM Marca de Servicio de Sears Brands, LLC
^{MC} Marque de commerce / ^{MD} Marque déposée de Sears Brands, LLC

© Sears Brands, LLC